

302

CHECK VALVE

PN 16 3"-8" (80-200 mm)
Bulged body

LONG LIFE VALVES

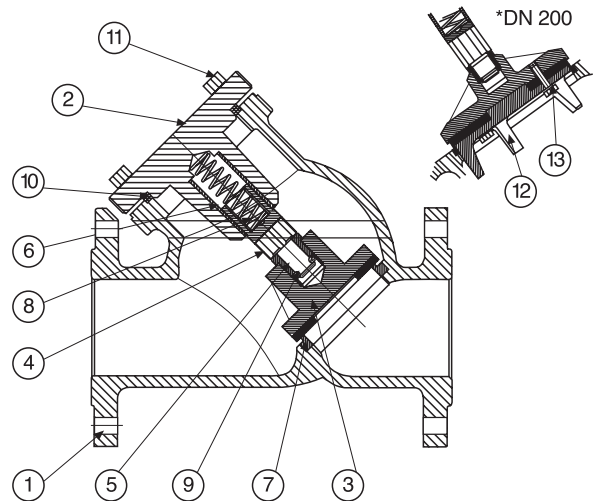


Products

Type	Coating	Nominal size							
		mm	50	80	100	150	200	250	300
		inches	2"	3"	4"	6"	8"	10"	12"
001	Epoxy			*	*	*	*		
002	Nylon11 (Rilsan)			*	*	*	*		

Flange connection: DIN, BS

* Order example: 302 type 002 DN 200 DIN



Description

Application

One way self acting.
Working temperature up to 110°C.

Coating

Epoxy - 60-80 mic.
Nylon 11 (Rilsan) 250 mic.

Advantages

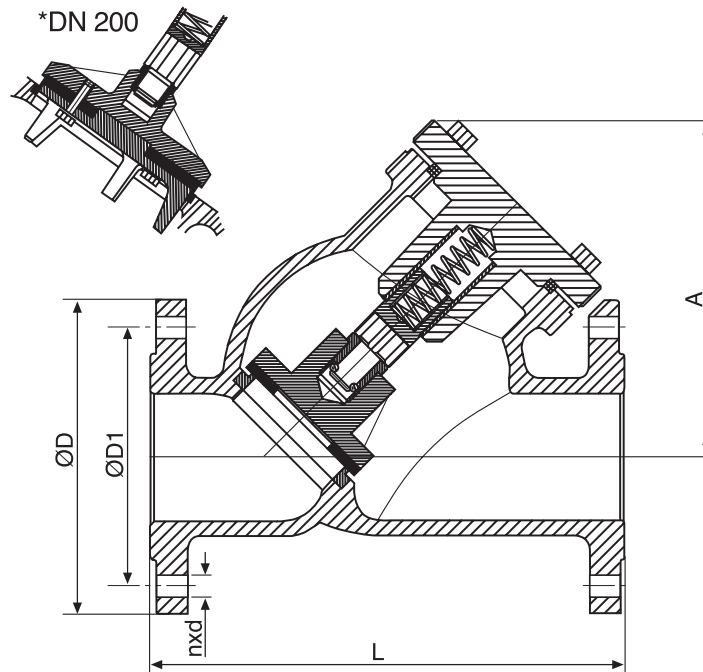
- Light weight.
- Bulged body design for smooth water circulation - for better flow characteristics and protection against erosion and corrosion
- Silent operation
- Operate with the gravity pressure

Material Specification

1	Body	Cast iron GG25
2	Cover	Cast iron GG25
3	Sealing Disc	Cast iron GG25
4	Sliding Rod	Brass
5	Nut	Brass
6	Bush	Brass
7	Body Seat	Brass
8	Spring	S,S/ Steel
9	Locating Ring	Brass
10	O-ring	N.B.R
11	Bolt & Nut	Steel
12	Guide disc	Bronze
13	Bolt & Washer	Steel

Applications for:	Drinking water	Air cooling system	Hot water	Steam	Water treatment	Sewage water	Sea water	Desalination plants	Chemical industry	Food industry	Pulp/Paper industry	Dry air	Gas	Vacuum
	✓	✓	✓		✓							✓		

Dimensions (mm)



302 Dimensions Table

	Dimension	DN							
		mm	50	80	100	150	200	250	300
		inches	2"	3"	4"	6"	8"	10"	12"
General	A		192	235	287	385			
	L		285	300	395	495			
	[Kg]		20	25	52	82			
Flange dimension AS-2129(D) (BS10)	D		185	220	281	340			
	D1		146	178	235	292			
	n x d		4 x 18	4 x 18	8 x 18	8 x 18			
Flange dimension EN-1092-2 (ND)	D		185	220	281	340			
	D1		160	180	240	295			
	n x d		8 x 19	8 x 19	8 x 23	12 x 23			

Dimensions and weight can be changed without notification.