

FLANGE BUTTERFLY VALVE

PN 10/16/25/40

6"-100" (150-2500mm)

Ductile Cast iron

Double flange

Double eccentric



LONG LIFE VALVES

Face to Face:

DIN 3202 F4 (ISO 5752 Series 14)

BS 5155 (ISO 5752 Series 13)

Top flange acc. ISO 5211.

Products

HOK	PN	Nominal size																							
		mm	150	200	250	300	350	400	450	500	600	700	800	900	1000	1100	1200	1400	1500	1600	1800	2000	2200	2400	2500
		inches	6"	8"	10"	12"	14"	16"	18"	20"	24"	28"	32"	36"	40"	44"	48"	56"	60"	64"	72"	80"	88"	96"	100"
Type 001	PN 10		*	*	*	*	*	*	*	*	*	*	*	*	*	*	*	*	*	*	*	*	*	*	*
Type 002	PN 16		*	*	*	*	*	*	*	*	*	*	*	*	*	*	*	*	*	*	*	*	*	*	*
Type 003	PN 25		*	*	*	*	*	*	*	*	*	*	*	*	*	*	*	*	*	*	*	*	*	*	*
Type 004	PN 40		*	*	*	*	*	*	*	*	*	*	*	*	*	*	*	*	*	*	*	*	*	*	*

Flange connection: DIN, BS

Order example: HOK type 003 DN 800 BS

Description

Application

Multipurpose, Bi-Directional shut-off valve.
Working temperature up to 80°C.

Operation

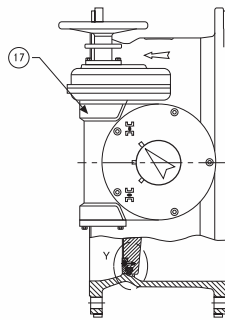
Gear, Electric actuator, pneumatic actuator, Hydraulic actuator. Can be operated with extensions.

Coating

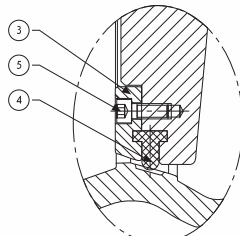
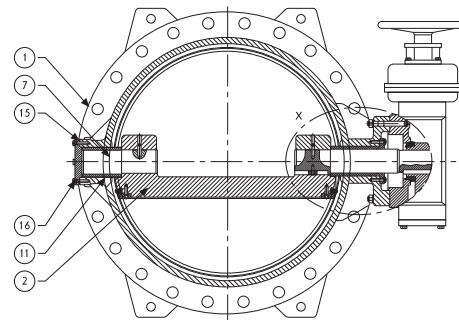
Fusion bonded epoxy - 250 mic.

Advantages

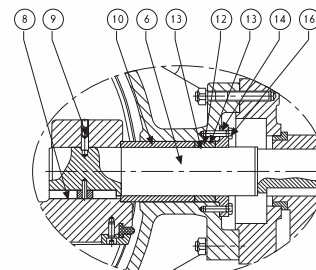
- Split shafts type, sealing with EPDM O rings.
- Retaining ring made of stainless steel, replaceable without dismantling the disc.
- Endless T profile resilient sealing ring from EPDM.
- Corrosion proof body seat face with wear resistant S.S weld overlay micro finished.
- Powerful low ratio gear adapted with shafts for hand wheel and electric actuator assembly.
- Lifting ears and support feet for easy handling.



CLOSED POSITION



DETAIL Y



DETAIL X

Material Specification	
1 Body	Ductile iron GGG40
2 Disc	Ductile iron GGG40
3 Backing ring	Stainless steel 316
4 Sealing ring	EPDM
5 Hex. socket head cap screw	Stainless steel A2

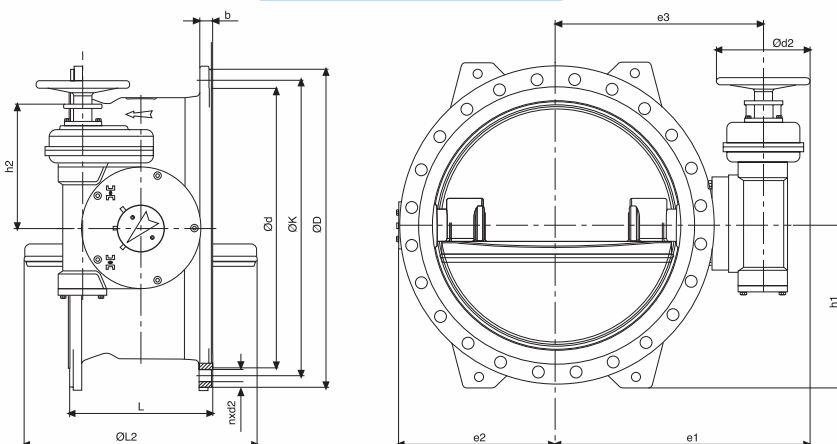
Material Specification	
6 Shaft - driven end	Stainless steel X20Cr13
7 Shaft - free end	Stainless steel X20Cr13
8 Key	Steel Ck45
9 Hex. socket set screw	Stainless steel A2
10 Bearing bush	Bronze
11 Bearing bush	Bronze

Material Specification	
12 Seal bush	Delrin
13 O-ring	EPDM
14 Cover - driven end	Ductile iron GGG40
15 Cover - free end	Ductile iron GGG40
16 Hex. bolt	Stainless steel A2
17 Worm gear unit	--

Applications for:	Drinking water	Air cooling system	Hot water	Steam	Water treatment	Sewage water	Sea water	Desalination plants	Chemical industry	Food industry	Pulp/Paper industry	Dry air	Gas	Vacuum
	✓	✓	✓		✓	✓		✓		✓	✓	✓	✓	

HOK FLANGED BUTTERFLY VALVE PN 10/16/25/40

Dimensions (mm)



HOK Dimensions Table

Dimension	DN																									
	mm	150	200	250	300	350	400	450	500	600	700	750	800	900	1000	1100	1200	1300	1400	1500	1600	1800	2000	2200	2400	2500
	inches	6"	8"	10"	12"	14"	16"	18"	20"	24"	28"	30"	32"	36"	40"	44"	48"	52"	56"	60"	64"	72"	80"	88"	96"	100"
General	Series 14	210	230	250	270	290	310	330	350	390	430	-	470	510	550	590	630	670	710	750	790	870	950	1030	1110	1150
	Series 13	140	152	165	178	190	216	222	229	267	292	305	318	330	410	440	470	-	530	560	600	670	760	840	-	-
PN10	L2	152	199	251	281	336	385	434	474	576	671	715	766	861	951	1053	1147	1248	1345	1435	1537	1722	1901	2085	2308	2396
	e1	352	377	443	494	596	593	629	677	705	796	885	859	918	965	1022	1181	1300	1283	1360	1457	1610	1729	1886	2095	2189
	e2	143	170	208	239	281	297	331	356	399	493	540	553	604	641	695	758	820	860	928	1021	1215	1345	1362	1588	1608
	e3	279	255	320	372	411	408	444	492	520	611	700	674	733	781	837	938	1058	1041	1117	1214	1368	1486	1583	1792	1886
	Ød2	245	245	245	245	370	370	370	370	370	370	370	370	370	370	370	485	485	485	485	485	485	485	605	605	605
	h1	143	170	213	240	263	293	330	345	400	458	495	518	568	625	688	738	803	848	920	968	1075	1183	1285	1390	1440
	h2	136	136	163	163	184	184	285	334	334	397	397	397	432	432	432	538	538	538	681	681	681	681	809	898	898
	Gear box	TK1	TK1	TK2	TK2	TK3	TK3	TK3-RD4	TK3-RD4	TK4-RD4	TK4-RD4	TK5-RD5	TK5-RD5	TK6-RD6	TK6-RD6	TK6-RD6	TK7-RD7	TK7-RD7	TK7-RD7	TK7-RD7	TK8-RD8	TK8-RD8	TK8-RD8	TK8-RD8	TK9-RD9	TK9-RD9
	Weight Kg	43	55	100	125	155	172	235	313	397	610	710	750	978	1200	1540	2170	2825	2946	4000	4366	6300	8500	8320	12900	13820
	PN16	L2	152	199	251	281	336	385	434	474	576	671	715	766	861	951	1053	1147	1248	1345	1435	1537	1722	1901	2085	2308
e1		352	377	443	494	596	593	629	677	743	785	885	840	898	965	1022	1181	1300	1283	1360	1508	1610	1729	1975	2095	2189
e2		143	170	208	239	281	297	331	356	429	470	540	518	576	641	695	758	820	860	928	1068	1215	1345	1455	1588	1608
e3		279	255	320	372	411	408	444	492	558	600	700	655	713	781	837	938	1058	1041	1117	1265	1368	1486	1672	1792	1886
Ød2		245	245	245	245	370	370	370	370	370	370	370	370	370	370	370	485	485	485	485	485	485	485	605	605	605
h1		143	170	213	240	270	300	330	368	430	465	495	523	573	638	688	753	803	853	920	975	1075	1183	1288	1390	1440
h2		136	136	163	163	184	285	285	334	334	397	397	397	432	432	432	538	538	538	681	681	681	681	898	898	898
Gear box		TK1	TK1	TK2	TK2	TK3	TK3-RD4	TK3-RD4	TK4-RD4	TK4-RD4	TK5-RD5	TK5-RD5	TK6-RD6	TK6-RD6	TK6-RD6	TK7-RD7	TK7-RD7	TK7-RD7	TK7-RD7	TK7-RD7	TK8-RD8	TK8-RD8	TK8-RD8	TK8-RD8	TK9-RD9	TK9-RD9
Weight Kg		43	55	100	125	172	200	235	330	490	632	710	820	1020	1318	1540	2470	2825	3510	4000	5150	6300	8500	11220	14700	16000
PN25		L2	152	199	251	281	336	379	427	474	567	663	715	747	854	952	1146	1340	1537							
	e1	374	413	552	568	615	665	687	745	794	849	891	934	1095	1170	1286	1413	1577								
	e2	155	193	259	271	311	340	380	385	459	533	540	588	677	734	820	930	1042								
	e3	252	290	367	383	430	480	502	560	609	664	706	749	853	928	1043	1170	1275								
	Ød2	245	245	370	370	370	370	370	370	370	370	370	370	485	485	485	485	605								
	h1	150	180	223	253	288	320	345	375	433	490	518	553	603	670	765	868	995								
	h2	136	136	184	285	285	334	334	397	397	432	432	432	538	538	538	681	809								
	Gear box	TK1	TK1	TK3	TK3-RD4	TK4-RD4	TK4-RD4	TK4-RD4	TK5-RD5	TK5-RD5	TK6-RD6	TK6-RD6	TK6-RD6	TK7-RD7	TK7-RD7	TK7-RD7	TK8-RD8	TK8-RD8								
	Weight Kg	48	66	160	187	208	289	352	470	690	860	960	1184	1800	2084	2700	3960	5150								
	PN40	L2	152	199	251	281	336	379	427	467	567	663	747	854	952											
e1		374	413	552	568	615	644	687	745	794	849	934	1095	1170												
e2		155	193	259	271	311	340	380	385	459	533	588	677	734												
e3		252	290	367	383	430	459	502	560	609	664	749	853	928												
Ød2		245	245	370	370	370	370	370	370	370	370	370	485	485												
h1		150	188	223	268	300	340	345	388	455	508	553	603	670												
h2		136	136	184	285	285	334	334	397	397	432	432	538	538												
Gear box		TK1	TK1	TK3	TK3-RD4	TK4-RD4	TK4-RD4	TK4-RD4	TK5-RD5	TK5-RD5	TK6-RD6	TK6-RD6	TK7-RD7	TK7-RD7												
Weight Kg		48	70	179	200	270	380	460	520	760	1020	1480	2250	2600												

Dimensions and weight can be changed without notification.

BUTTERFLY VALVES



Member of Gaon Agro industries Ltd. group

8 Hashlagan St., Industrial Zone Kiriya-Gat 82021 Israel ■ Tel. 972-8-6818899
 Fax. 972-8-6818801 ■ E-mail: hakohav@smile.net.il ■ www.hakohav.co.il

