

## Model 51P and 52P

# Dorot Plastic Back Flushing Double Chamber Valve

2"/ 50mm Reinforced - Polyamide body, 3-directional, double-chamber valve for back-flushing of filtration batteries

### Features

- Corrosion-proof materials (additional versions for sea-water and aggressive media available)
- Sturdy body, made of Glass-Reinforced Polyamide (GRP)
- Light weight
- Simple, compact design
- Double chamber structure
- Super-fast position change
- In-line maintenance
- Easy installation, no special tools or expertise required
- Straight or angle flow with easy conversion from one model to the other, offering maximum flexibility to system design



new



# Model 51P and 52P

## Operating principle:

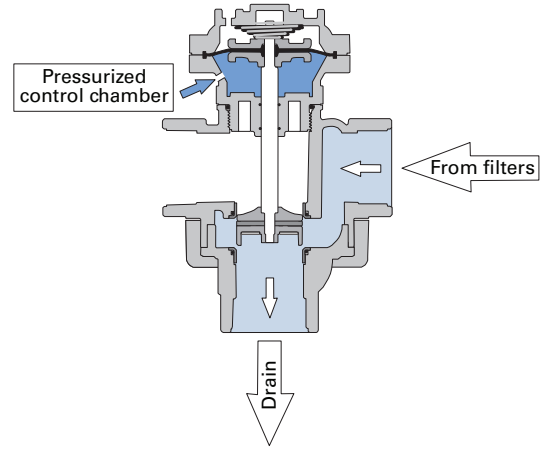
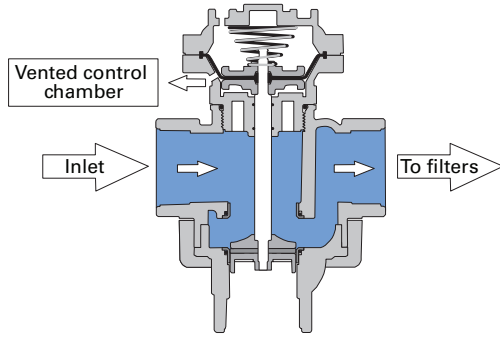
### Filtration mode

Control chamber is de-pressurized -  
The valve is in filtration mode

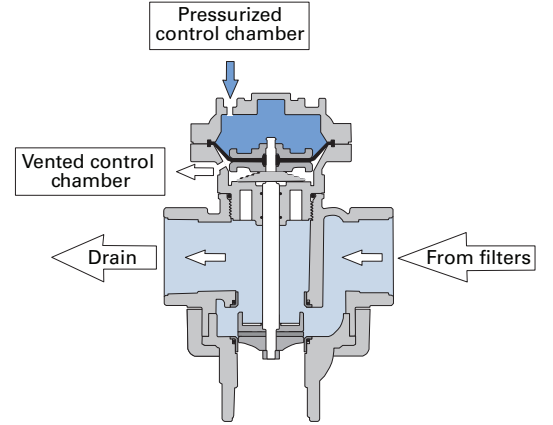
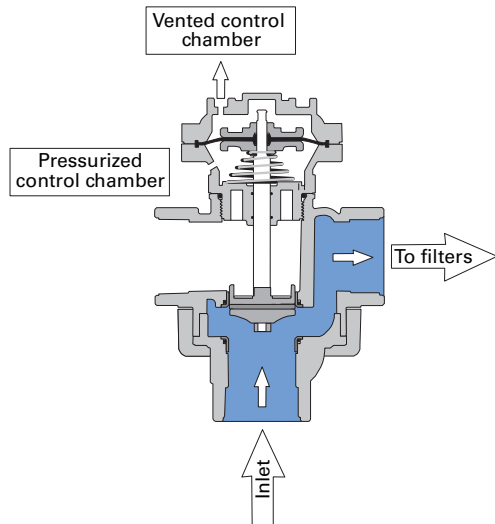
### Back-Flushing mode

Control chamber pressurized -  
The valve is in flushing mode

Model 51 P



Model 52 P



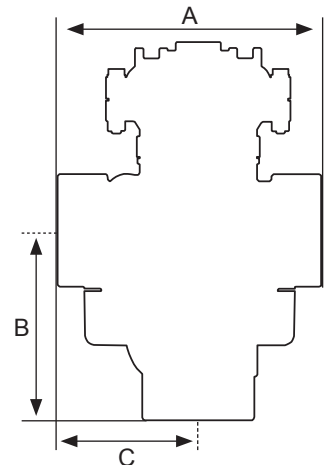
## Dimensions & weights:

Inlet / Outlet / Drain		Dimensions mm / inch			Weight Kg / Lbs
mm	inch	A	B	C	
50	2	180 / 7 <sup>1</sup> / <sub>8</sub>	135 / 5 <sup>5</sup> / <sub>16</sub>	90 / 3 <sup>1</sup> / <sub>2</sub>	3.1 / 6.8

Groove adapters supplied on request.

Each groove adapter will add 30 mm (1<sup>1</sup>/<sub>8</sub> inch) to the length / height dimensions according to its location.

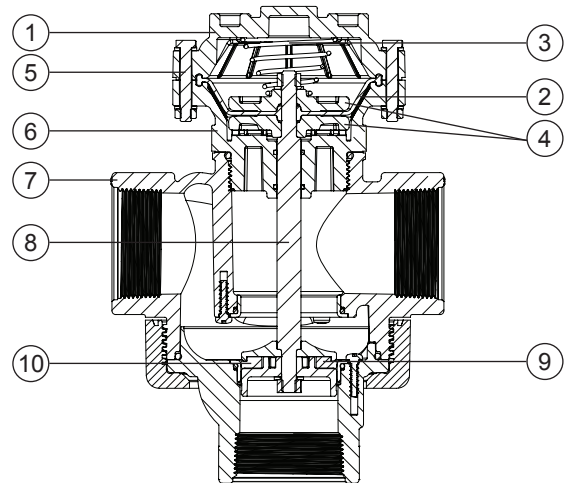
Threaded connections:  
Female - NPT / BSP



# Model 51P and 52P

## Materials:

Part	Standard
1. Bonnet	GRP
2. Diaphragm	NR
3. Spring	SST 302
4. Diaphragm discs	GRP
5. Screws	SST 302
6. Operator Body	GRP
7. Body	GRP
8. Shaft	SST 316
9. Plug assy.	PA
10. Seals	NR



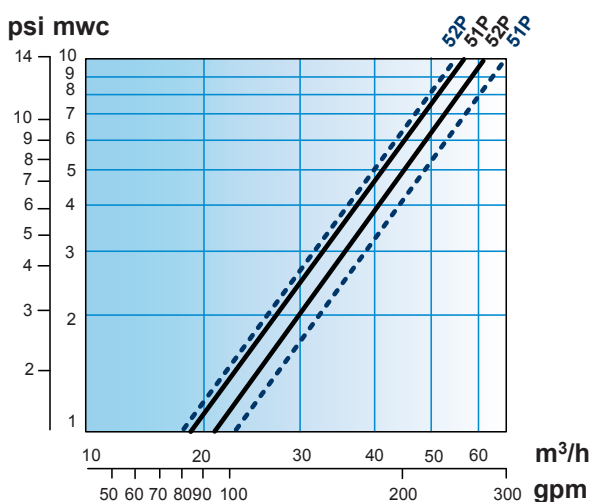
## Hydraulic performance:

Model		51	52
Size		2 X 2	2 X 2
Flow rate factor at filtering	Kv (metric)	56	61
	Cv (US)	65	70
Flow rate factor at flushing	Kv (metric)	69	55
	Cv (US)	80	63

**Operating pressure range:** Standard model: 1 - 10 bar / 15 - 150 psi

**Maximal operating temperature:** Standard models - 65°C (150°F)

## Head loss chart:

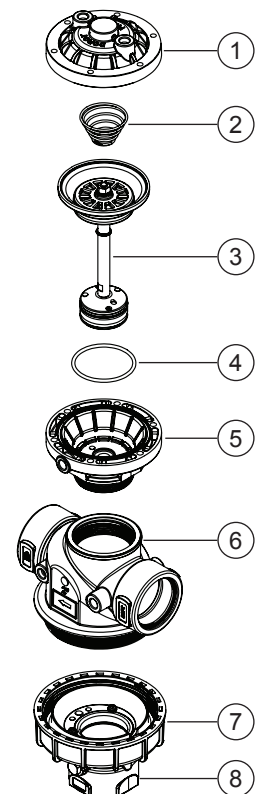


Filtration mode —————

Flushing mode - - - - -

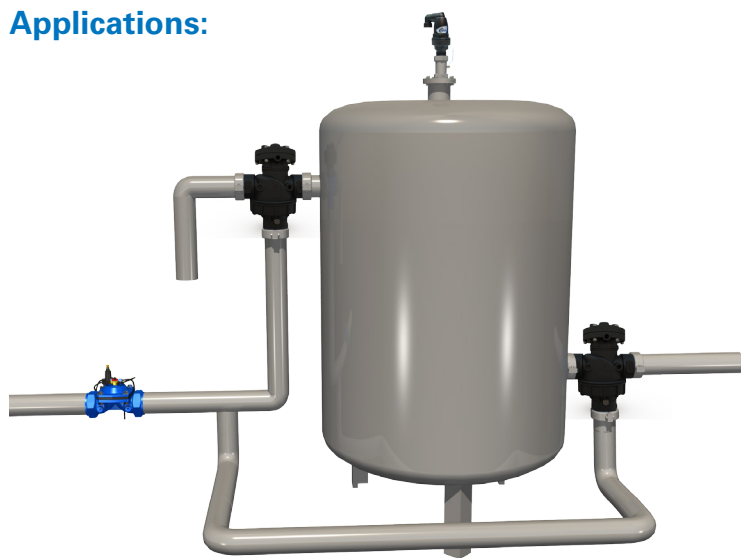
## Main parts:

1. Bonnet
2. Spring
3. Diaphragm & actuator kit
4. O-ring
5. Actuator body
6. Body
7. Locking ring
8. Adaptor



# Model 51P and 52P

## Applications:



Sand Media Filter



Double Disc Filters System

## Ordering guide:

Ordering data		Ordering code						Ordering data			
	5□P	2X2	□	□	□	□	□□				
<b>Filtration Flow Direction</b>								<b>Special Versions</b>			
Straight	1							HW	Hot Water		
Angle	2							HP	High Pressure (16 bar)		
<b>Inlet port connection</b>								<b>Coating</b>			
Grooved adapter	→							V	R	←	Polyester Red
BSP Thread	→							B	L	←	Polyester Blue
NPT Thread	→	N	X	←	Other (Specify)						
<b>Outlet port connection</b>								<b>Drain port connection</b>			
Grooved adapter	→							V	V	←	Grooved adapter
BSP Thread	→							B	B	←	BSP Thread
NPT Thread	→	N	N	←	NPT Thread						