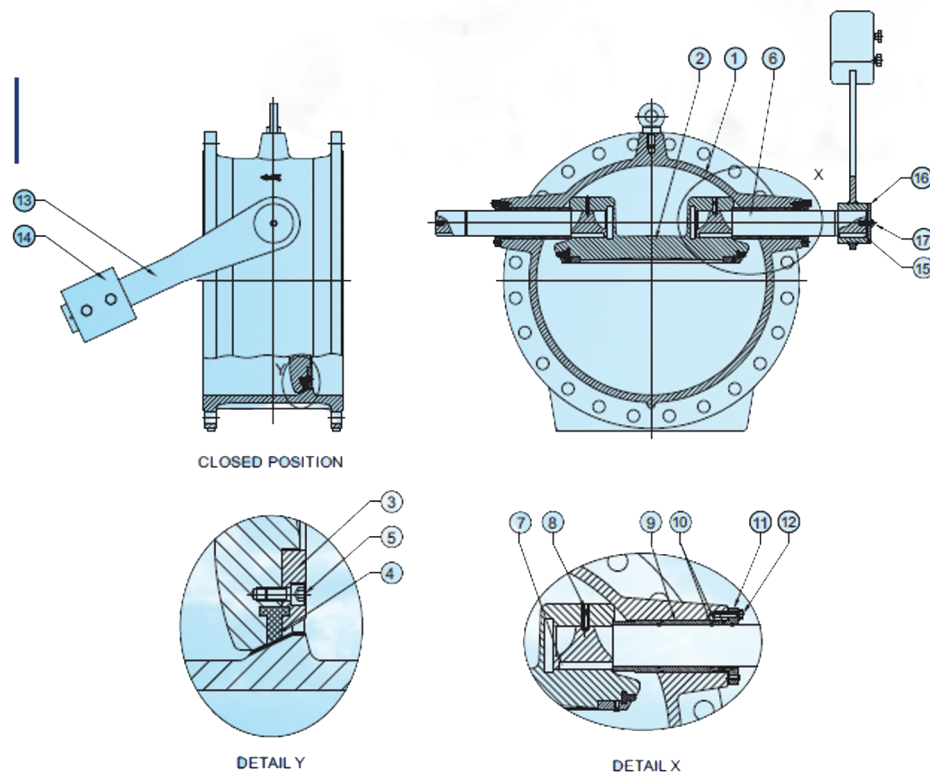


# WHY? TILTING TYPE CHEK VALVES

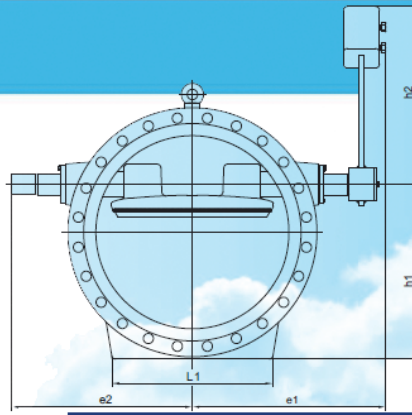
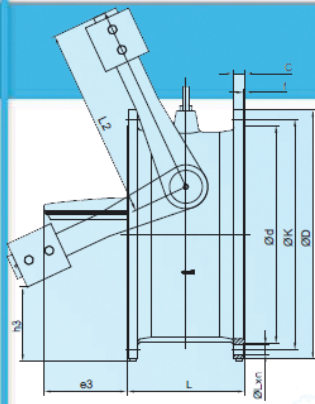
- Short body, small volume and light weight
- Shafts protrude on both sides of the body and allow the lever and counter weight to be mounted on the right or left side, both vertical and horizontal pipe line applications
- Disc swings freely. The disc opening depends on the flow velocity
- Adjustable weight offers the adaptability to the individual working conditions
- Metal to metal or resilient seating options
- Maintenance free design

## MATERIAL PROPERTIES



## Tilting Type

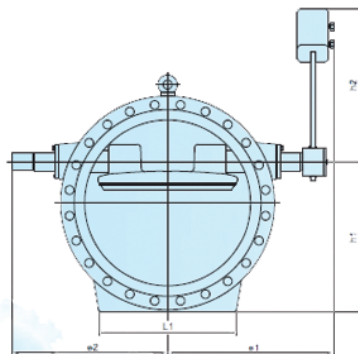
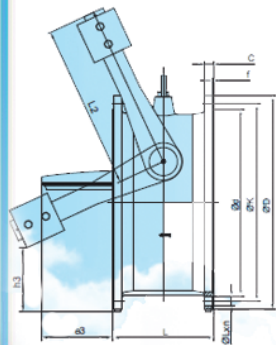
PART NO	DESCRIPTION	MATERIAL
1	Body	Ductile cast iron EN-GJS-400-15
2	Disc	Ductile cast iron EN-GJS-400-15
3	Retaining ring	Steel S235JR
4	Sealing ring	EPDM
5	Hex. socket head cap screw	Stainless steel A2
6	Shaft	Stainless steel X20Cr13
7	Key	Steel Ck45
8	Hex. socket set screw	Stainless steel A2
9	Bearing bush	Bronze
10	O-ring	EPDM
11	Cover	Ductile cast iron EN-GJS-400-15
12	Hex. bolt	Stainless steel A2
13	Lever	Steel S235JR
14	Weight	Steel S235JR
15	Key	Steel Ck45
16	Cover	Steel S235JR
17	Bolt	Stainless steel A2



## PN - 10/16

### TECHNICAL INFORMATION

DN	PN	L	L1	L2	e1	e2	e3	h1	h2	h3	WEIGHT (KG)
100	10 / 16	190	-	200	200	184	-	135	188	25	20
125	10 / 16	200	-	200	223	207	-	156	188	47	26
150	10 / 16	210	-	200	245	230	9	180	188	65	35
200	10 / 16	230	-	200	268	252	35	220	188	107	43
250	10 / 16	250	-	300	325	305	68	265	285	92	73
300	10 / 16	270	285	300	340	317	87	315	285	142	96
350	10 / 16	290	250	400	410	382	117	357	372	140	136
400	10 / 16	310	370	400	440	412	138	400	372	182	168
450	10 / 16	330	425	450	470	443	165	442	418	204	237
500	10 / 16	350	460	500	520	490	188	492	465	222	294
600	10 / 16	390	535	600	590	567	238	580	555	267	423
700	10 / 16	430	580	700	700	661	305	640	653	273	550
800	10 / 16	470	655	800	745	711	355	723	743	314	820
900	10 / 16	510	680	900	800	780	400	797	830	348	1060
1000	10 / 16	550	690	1000	870	863	460	887	935	360	1245
1200	10 / 16	630	810	1200	960	938	568	1055	1113	442	1810
1400	10 / 16	710	900	1400	1240	1210	682	1210	1305	487	3140



## PN - 25

### TECHNICAL INFORMATION

DN	PN	L	L1	L2	e1	e2	e3	h1	h2	h3	WEIGHT (KG)
100	25	190	-	200	200	184	-	143	188	33	22
125	25	200	-	200	223	207	-	166	188	57	29
150	25	210	-	200	245	230	9	186	188	73	38
200	25	230	-	200	268	252	35	230	188	117	50
250	25	250	280	300	330	317	68	285	285	111	94
300	25	270	310	400	390	362	87	328	370	112	126
350	25	290	250	400	435	410	117	375	372	160	160
400	25	310	370	400	490	469	138	420	376	192	287
450	25	330	425	500	510	488	167	457	465	187	290
500	25	350	460	500	570	554	188	500	465	230	376
600	25	390	535	600	625	610	238	582	555	270	512
700	25	430	610	700	715	698	306	665	647	300	710
800	25	470	655	800	768	751	354	723	760	310	1010
900	25	510	620	900	836	795	400	838	885	330	1460
1000	25	550	695	1000	900	880	460	950	940	350	2390

**HAKOHAV**  
VALVES

8 Ashlagan St., Kiryat-Gat 82021 Israel  
Tel. 972-8-6818899 ■ Fax. 972-8-6818801  
E-mail: info@hakohav.co.il  
Website: www.hakohav.com